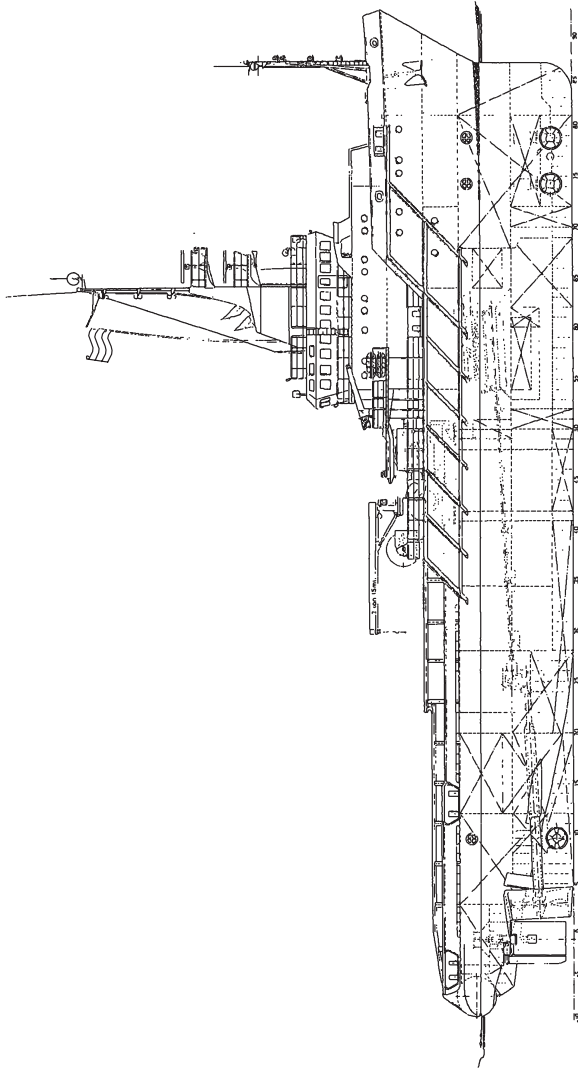
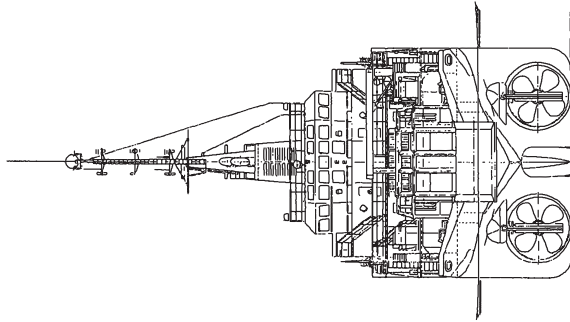
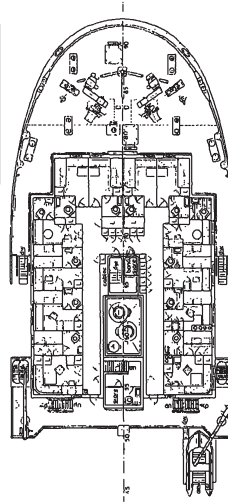


BOULDER

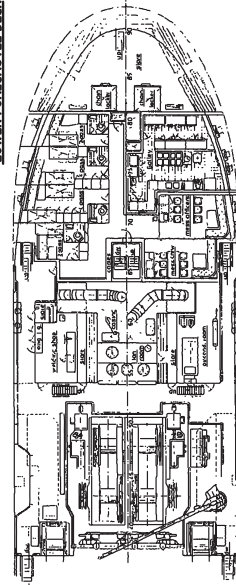
134 TONS B.P.
ANCHOR HANDLING TUG
SUPPLY VESSEL



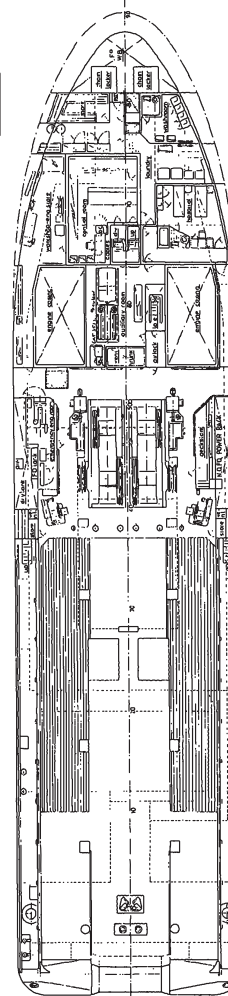
UPPER FORECASTLE DECK



LOWER FORECASTLE DECK



MAINDECK



TANKTOP

