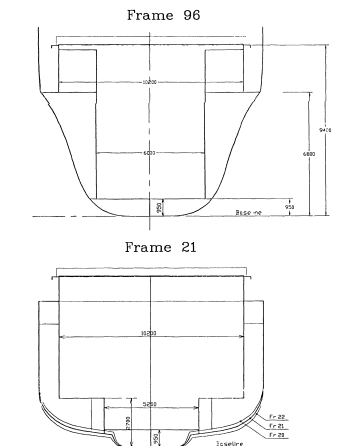
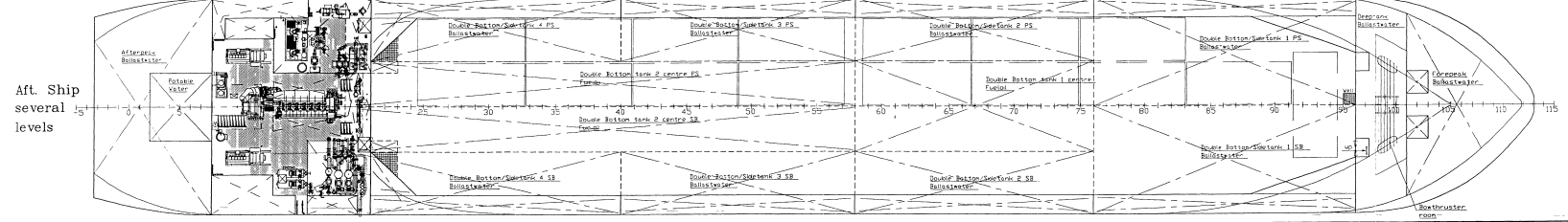
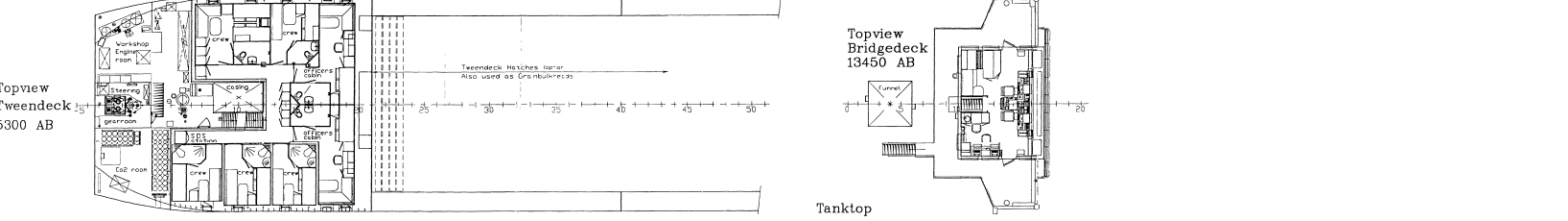
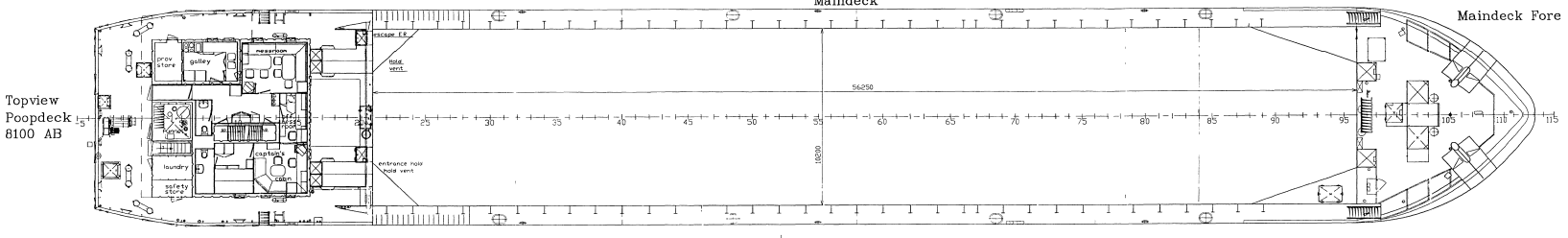
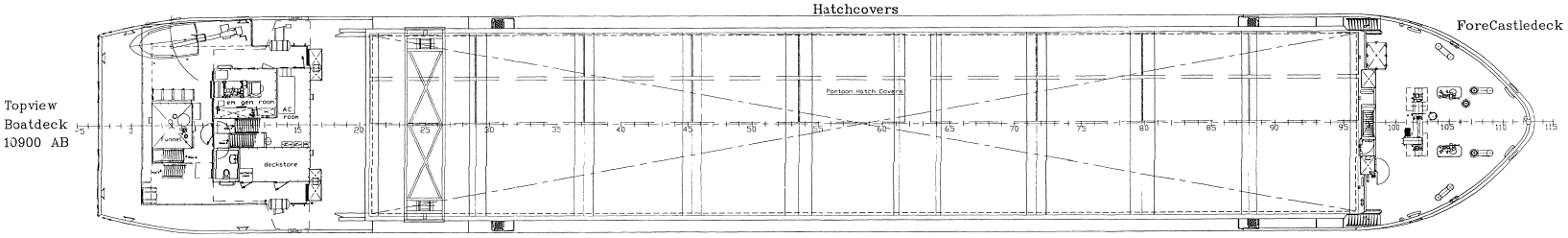
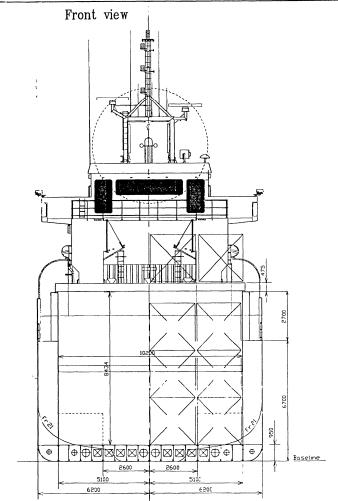
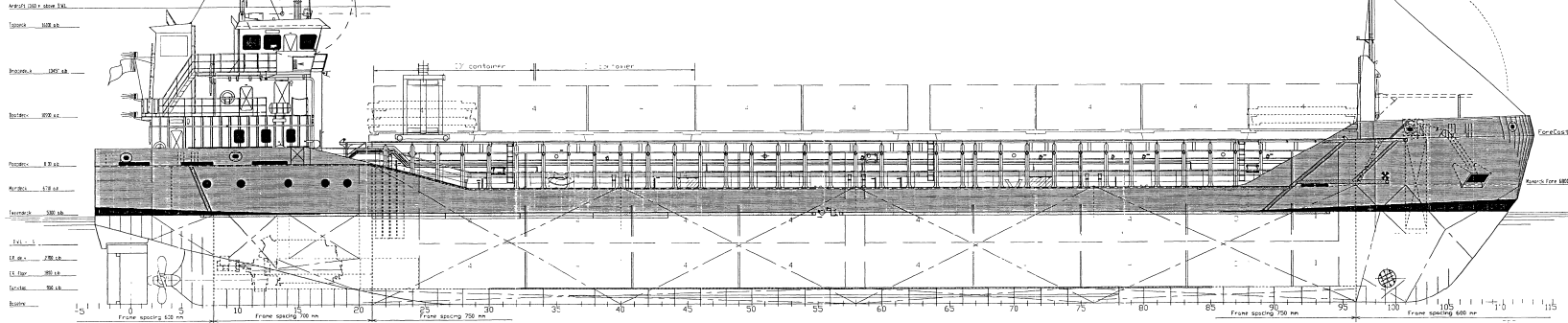


# PS SAIMAX 3200 TON MULTIPURPOSE VESSEL

## General Arrangement



MAIN PARTICULARS	
Length over all	32.50 m.
Length between perpendiculars	28.90 m.
Breadth moulded	12.40 m.
Depth	5.70 m.
Draft	abt 5.30 m.
Deadweight	abt 3200 T.
Hold capacity	abt 4740 m <sup>3</sup> .
Tank capacities: Ballastwater	abt 1400 m <sup>3</sup> .
Fueloilwater	abt 198 m <sup>3</sup> .
Portaballastwater	abt. 42 m <sup>3</sup> .
Container capacity in hold	96 IEU.
on deck	36 IEU.
Total	132 IEU.
Luggage	abt 2335 Gt.
Class	GL E3.
Deadweight Saima Canal draft	(4.35 m) in Freshwater 2270 T.

**PS PATTJE SAIMAX**  
 MEMBER OF THE VOLHARDING GROUP

GENERAL ARRANGEMENT

Member of the Volharding Group Project Saimax 3200

Site A0	Date 3-11-99	Yardno 412/417
Scale 1:100	Drawn by WHP	Dwg no 0020-E